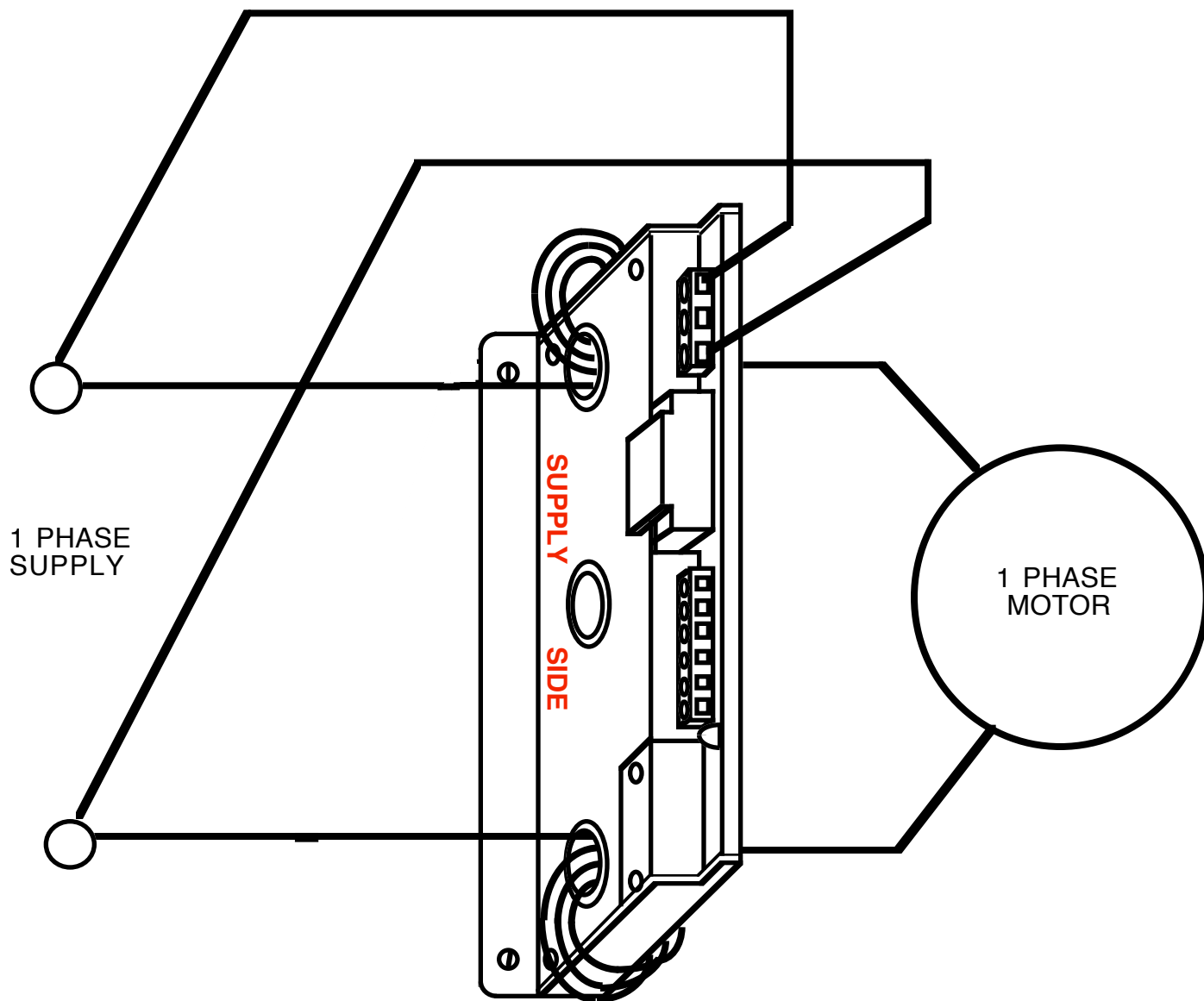


UPC measuring Single Phase / Turns



UPC with 4 turns shown measuring Single Phase Power

Scaling for the analog outputs is the adjusted H.P. (1K ohm per H.P.) divided by the number of turns.

Example 1 :

H.P. scale set for 5 H.P. (5 k ohms)
Full scale is $5 / 4$ turns = 1.25 H.P.

Example 2:

H.P. scale set for 6 H.P. (6 k ohms)
Full Scale is $6 / 4$ turns = 1.5 H.P.